

CAPRA MK3

29 & MX | CARBON



HEADSET DIMENSIONS

TOP: ZS 44 | 28,6 (1 1/8")
 BOTTOM: ZS 56 | 40 (1.5")

SHOCK INSTALLATION LENGTH

230 X 65 MM

SHOCK HARDWARE

FRONT: Ø8X20 MM
 REAR: Ø8X15 MM

SEATPOST DIAMETER

31,6 MM

SEATPOSTCLAMP INNER DIAMETER

35,6MM

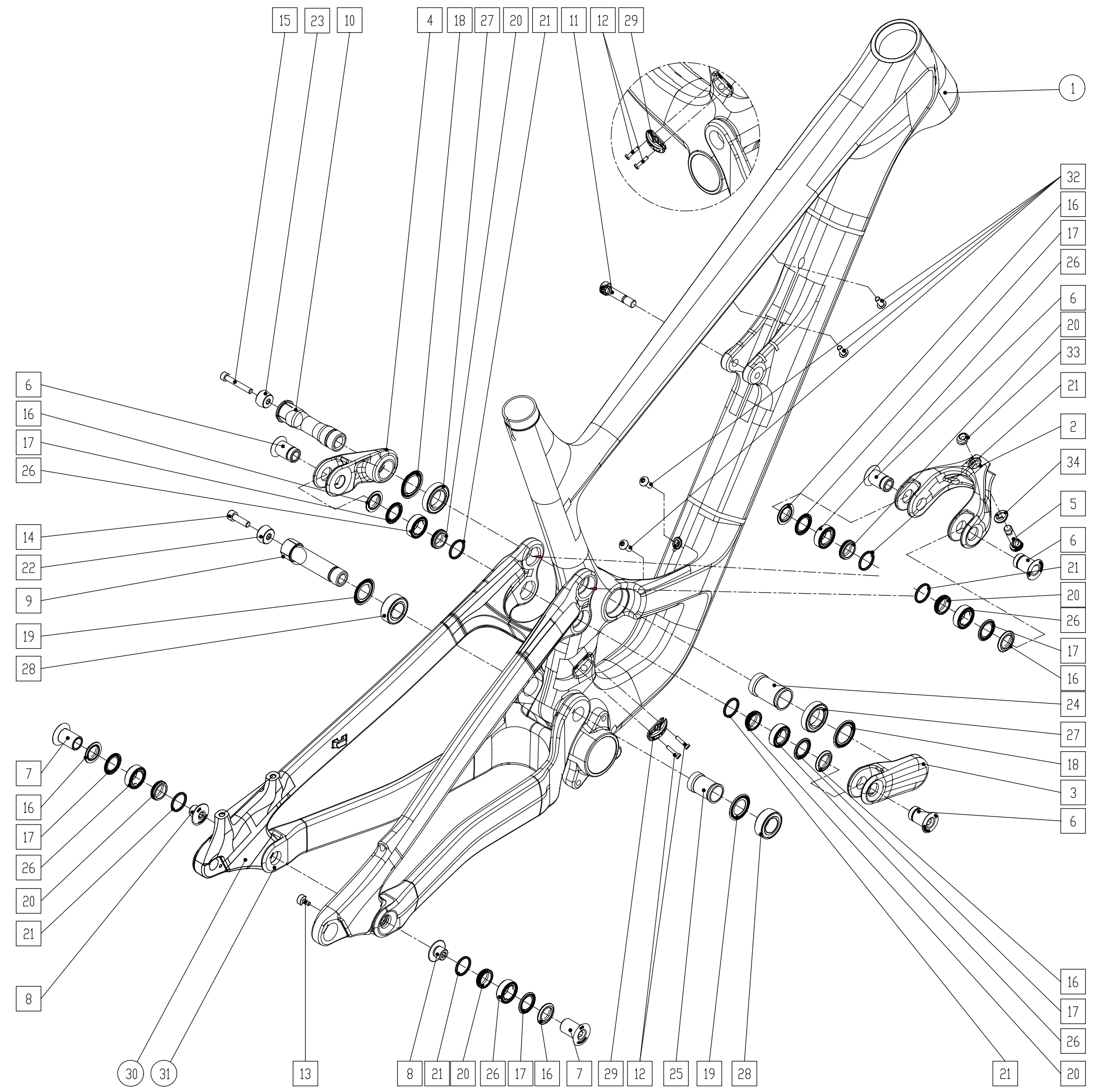
BREAKMOUNT STANDARD

POSTMOUNT 180

BOTTOM BRACKET STANDARD

PRESSFIT 92 MM

ITEM	Part Description	Quantity
1	Front triangle	1
2	YOKE	1
3	LINK-DS	1
4	LINK-NDS	1
5	LOWER SHOCK BOLT	1
6	YOKE BOLT	4
7	HORSTLINK BOLT	2
8	HORSTLINK SCREW	2
9	MAIN PIVOT AXLE	1
10	LOWER LINK AXLE	1
11	FRONT SHOCK BOLT	1
12	SCREW	4
13	SCREW	1
14	SCREW	1
15	SCREW	1
16	WASHER	6
17	WASHER	6
18	WASHER	2
19	WASHER	2
20	WASHER	6
21	X RING	6
22	TAPER WASHER	1
23	TAPER WASHER	1
24	SLEEVE	1
25	SLEEVE	1
26	BEARING	6
27	BEARING	2
28	BEARING	2
29	CABLE CLAMP	2
30	SEATSTAY	1
31	CHAINSTAY	1
32	SCREW	4
33	FLIPCHIP-TOP	1
34	FLIPCHIP-BOTTOM	1

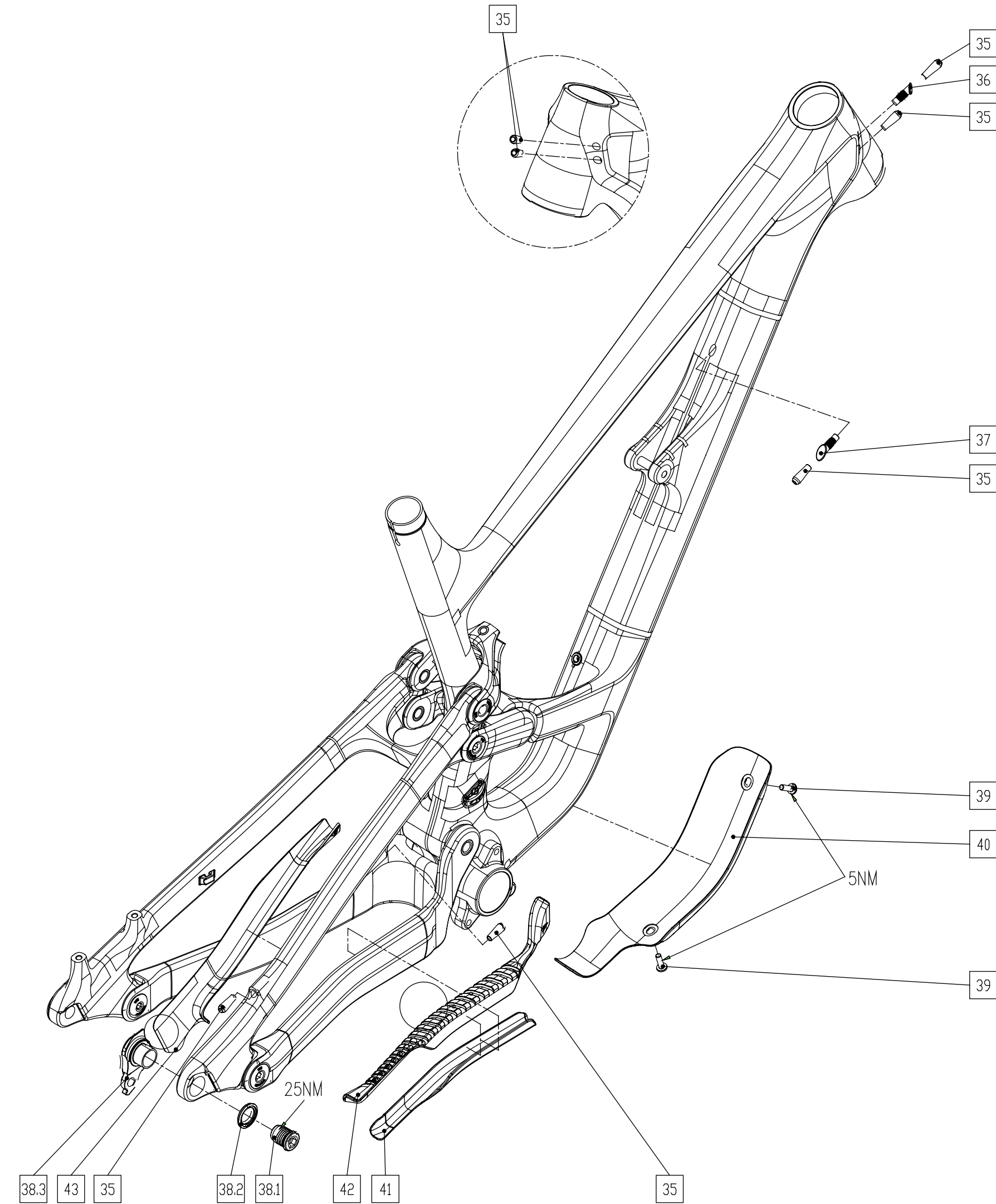


CAPRA MK3

29 & MX | CARBON

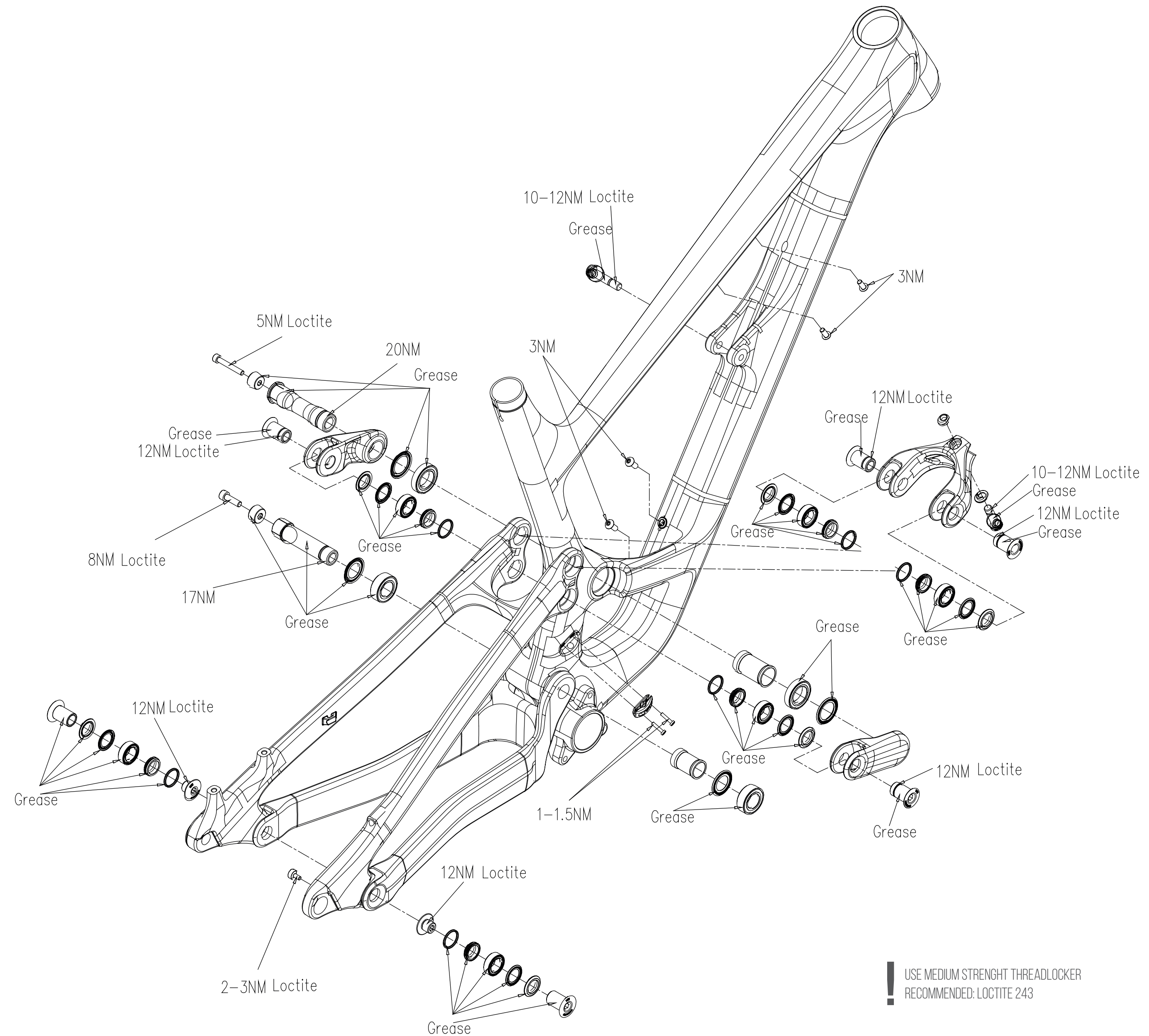


ITEM	Part Description	Quantity
35	CABLEPLUG	7
36	CABLEPLUG BLIND	1
37	CABLEPLUG BLIND	1
38.1	UDH HANGER-SCREW	1
38.2	UDH HANGER-WASHER	1
38.3	UDH HANGER	1
39	SCREW	2
40	DT PROTECTOR	1
41	CS PROTECTOR-LOWER	1
42	CS PROTECTOR-UPPER	1
43	SS PROTECTOR-STD	1



CAPRA MK3

29 & MX | CARBON



USE MEDIUM STRENGTH THREADLOCKER
RECOMMENDED: LOCTITE 243